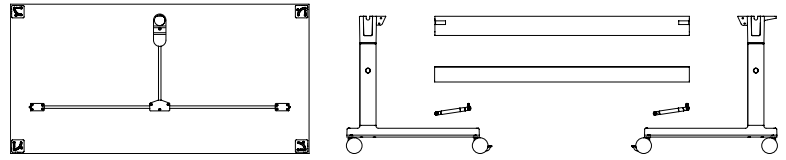


C-Leg Height Adjustable Flip-top Tables

Casters only

Related tables:

KCPA4818C	KCPA4824C	KCPA4830C
KCPA6018C	KCPA6024C	KCPA6030C
KCPA7218C	KCPA7224C	KCPA7230C



Unboxing

You should have received your top plus two boxes per table.

Box 1 includes:

Leg assemblies, hardware in a red plastic bag, and installation instructions.

Box 2 includes:

Wire management trough and flip door.

Parts list

- 1 Table top
- 1 Left C-leg assembly
- 1 Right C-leg assembly
- 1 Wire management trough
- 1 Flip door

Tools needed

- Allen wrenches
- Torque wrench
- 1/2" Open wrench
- Phillips screwdriver

Hardware

- 4 Flat head 1/4"-20 x 1/2" screws
 - 4 Socket cap head 1/4"-20 x 1" screws
 - 6 Socket cap head 5/16"-18 x 1" screws
 - 2 Gas cylinders*
 - 2 Ball studs*
 - 2 Vertical wire management clips (clear plastic)
 - 4 Horizontal wire management clips with wood screws
- Gas cylinder spec
 1C59606 - 250N
 1C59603 - 350N
 4AU3145 - 400N

Gas cylinders:

- Gas cylinders vary in number & size depending on table top:
- 48" x 18" - (1x) 1C59606
 - 72" x 18" - (1x) 1C59606
 - 60" x 18" - (1x) 1C59606
 - 48" x 24" - (1x) 1C59603
 - 60" x 24" - (1x) 4AU3145
 - 72" x 24" - (2x) 1C59606
 - 48" x 30" - (2x) 1C59606
 - 60" x 30" - (2x) 1C59603
 - 72" x 30" - (2x) 4AU3145

Please pay close attention to torque requirements.

Step 1.

Slide the flip door (C) in from the end of the wire management trough groove.

Step 2.

Attach the wire management trough to the C-legs. Use flat head 1/4"-20 x 1/2" screws (A), 2 per leg, use 3/16" allen wrench, torque: 50 in/lb. Use socket cap head 1/4"-20 x 1" screws (B), 2 per leg, use 5/32" allen wrench, torque: 50 in/lb.

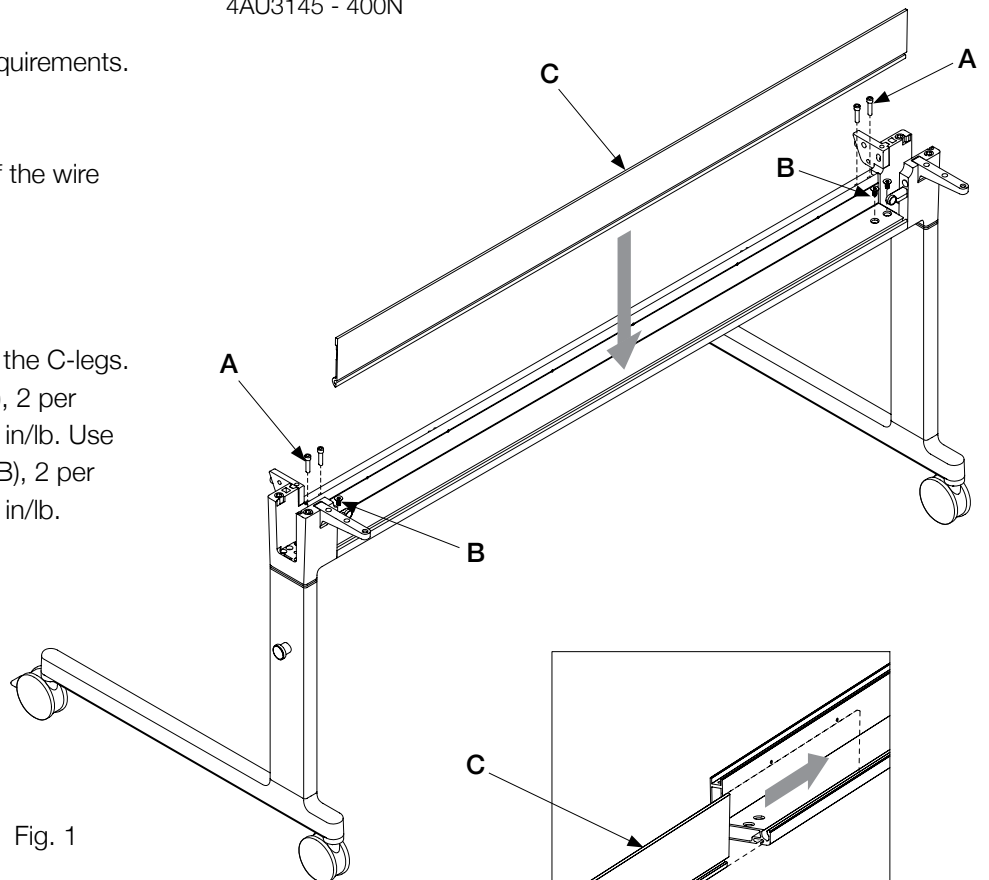


Fig. 1

Fig. 2

C-Leg Height Adjustable Flip-top Tables

Step 3.

Lay the inverted table top on the floor. Position the leg-trough assembly on the underside of the top.

Step 4.

Align and attach the flip hinge brackets with the threaded inserts in the top. Use socket cap head 5/16"-18 x 1" screws (D), 3 per hinge, use 1/4 allen wrench, torque: 130 in/lb.

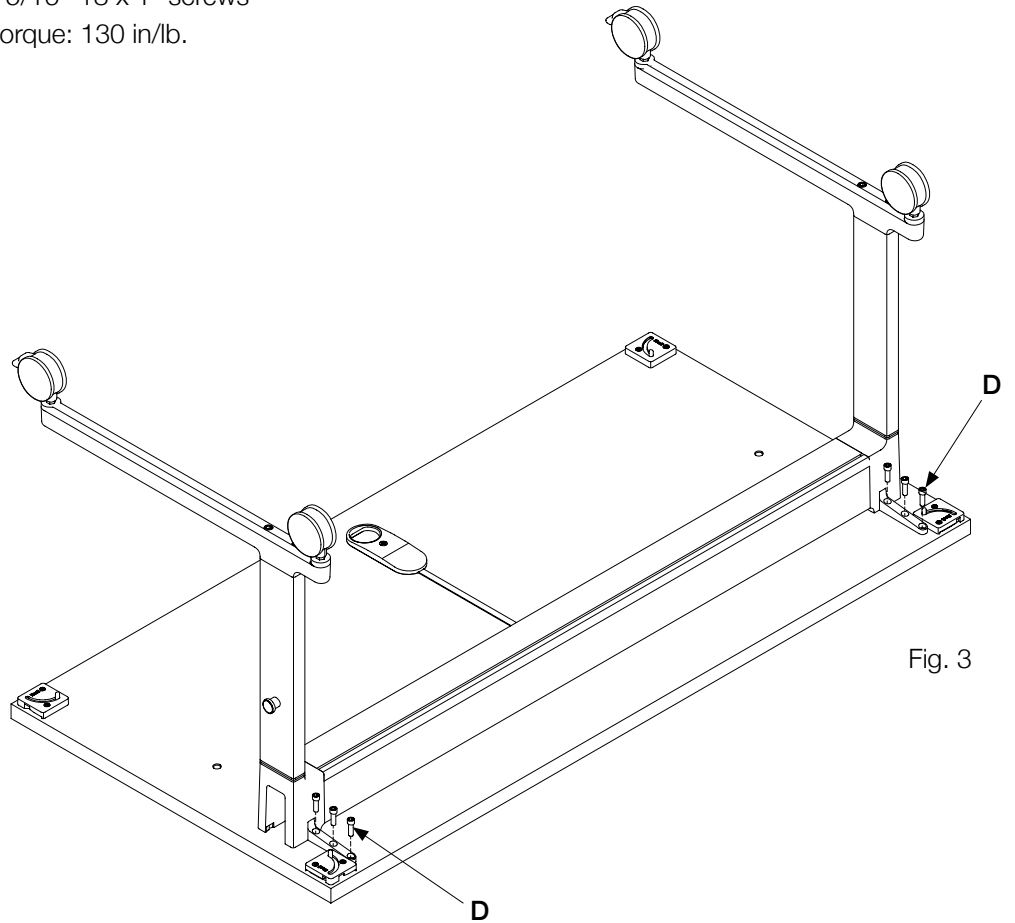


Fig. 3

C-Leg Height Adjustable Flip-top Tables

Step 5.

Turn the table over into the upright position.

Step 6.

Flip the table top up using the pull (E) on the underside of the top.

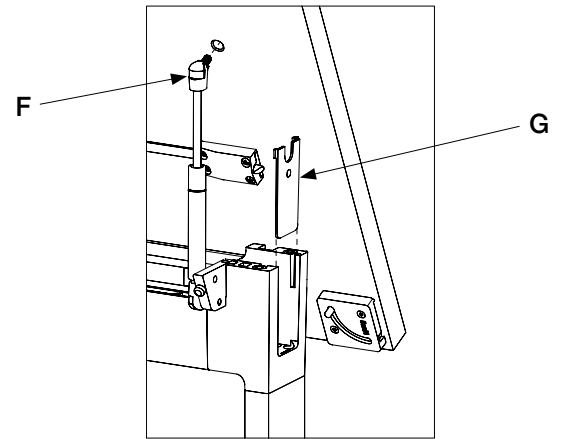


Fig. 4

Step 7.

Attach the 2 remaining ball studs to the table top with 1/2" open wrench, torque: 80 in/lb.

Attach the gas cylinders (F) to the top and upper leg casting. Ball studs are already attached to the leg castings.

Step 8.

Insert the trough end covers (G) in the slots on each leg upper casting.

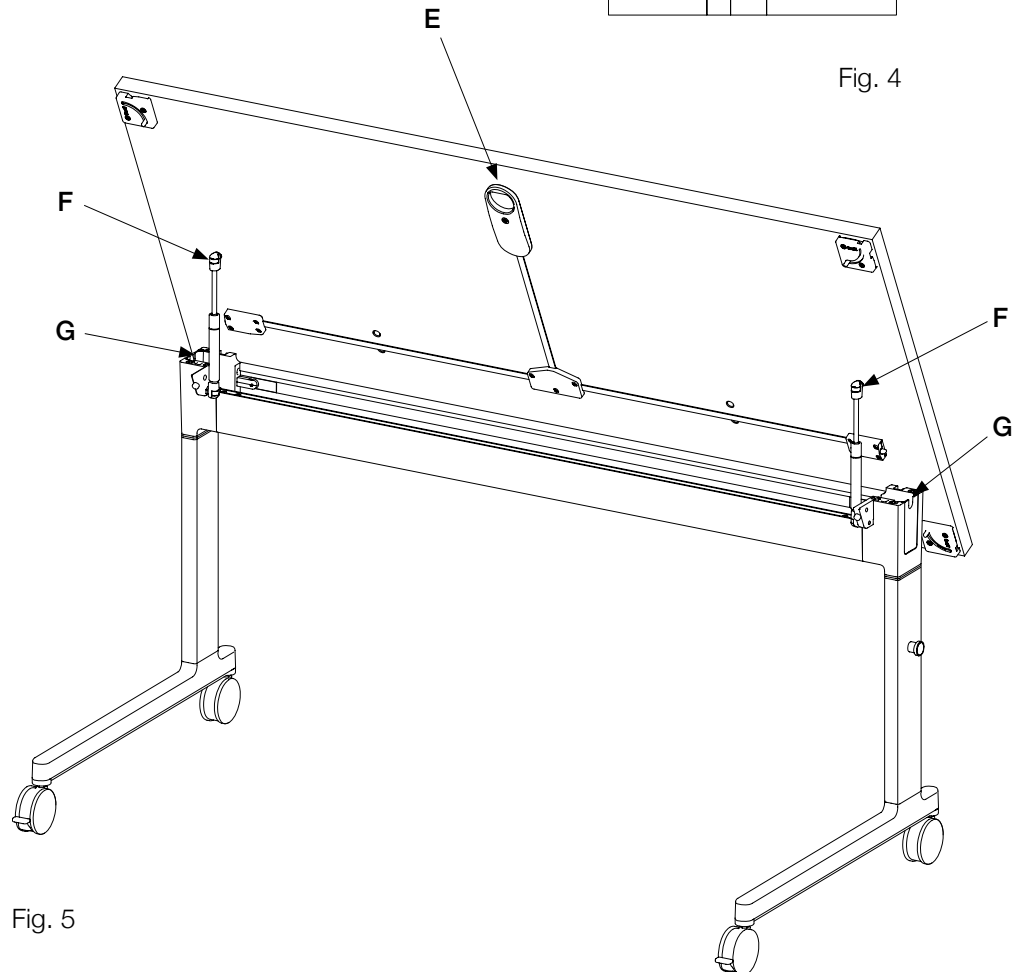


Fig. 5

C-Leg Height Adjustable Flip-top Tables

If the table top is not horizontal or to compensate for uneven floors and facilitate ganging, the following adjustments should be made to one or both sides as necessary:

Step 9.

Loosen the socket head cap 10-24 x 1/2" screw (H), using a 5/32" allen wrench.

Do not remove the screw.

Step 10.

Adjust the 1/4-20 x 3/8" set screw (I). Use an 1/8" allen wrench. This set screw will move the leveling block up or down as needed.

Step 11.

When the table top is perfectly horizontal, tighten (H) the socket head cap 10-24 x 1/2" screw with a 5/32" allen wrench.

Step 12.

If you are adding electrical, feed it through the open door in the trough.

All tables come with 2 vertical wire management clips, 4 horizontal wire management clips and wood screws for use with optional electrical modules. See separate electrical installation instructions for details.

If the table is being used as a stand-alone piece and the ganging mechanism will not be used, you can remove the mechanisms by unscrewing them.

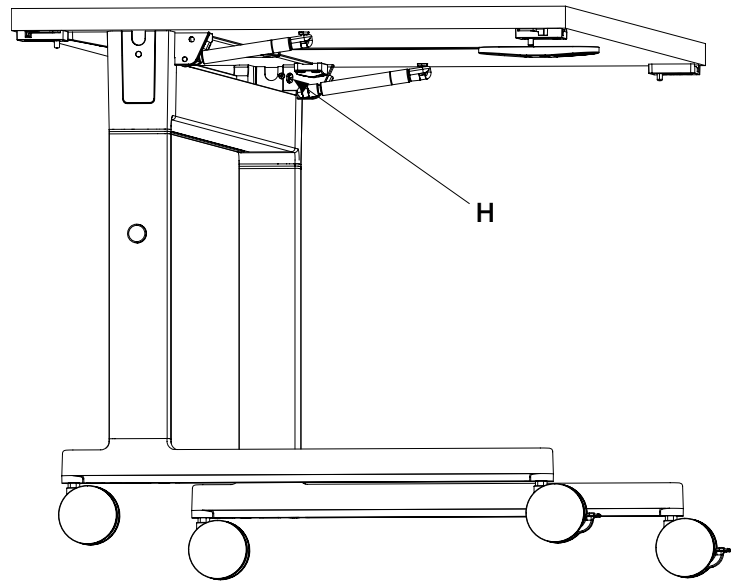
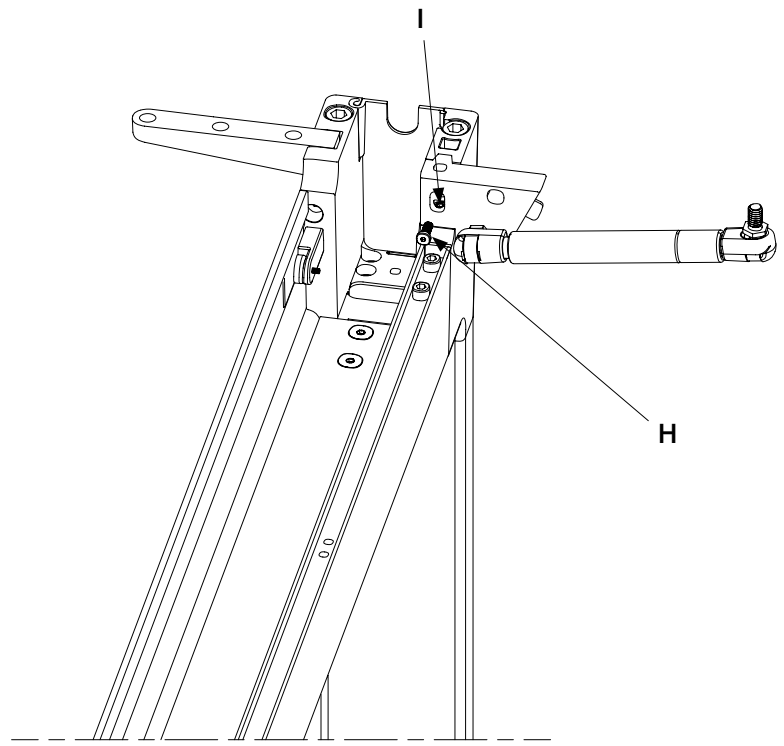


Fig. 6



(Table top not shown)

Fig. 7

C-Leg Height Adjustable Flip-top Tables - Operating Instructions

To adjust the table height:

Step 13.

Begin on one side of the table. Rest your foot on the lower casting (J).

Step 14.

Pull the spring pin knob (K) and lift table top to the desired height



Fig. 8

Step 15.

At the approximate desired height, let the top slide downwards until the spring pin re-engages in the lock position.

Step 16.

Go to second side. Pull pin (L) and lift to height desired. Let pin re-engage.

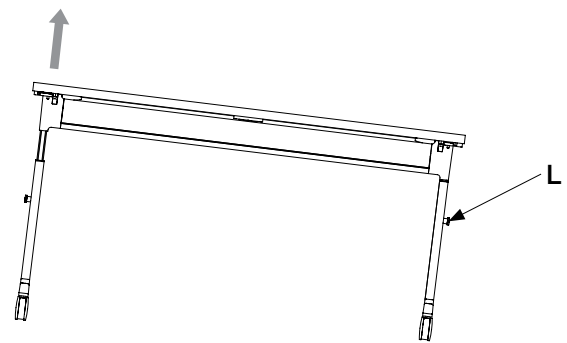


Fig. 9

The maximum height is 34 inches measured from the top of the table to the floor.

All tables come with 2 vertical wire management clips, 4 horizontal wire management clips and wood screws for use with optional electrical modules. See separate electrical installation instructions for details.

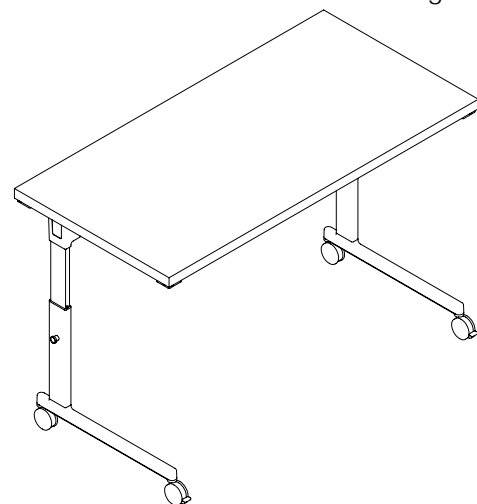


Fig. 10